



## POChain

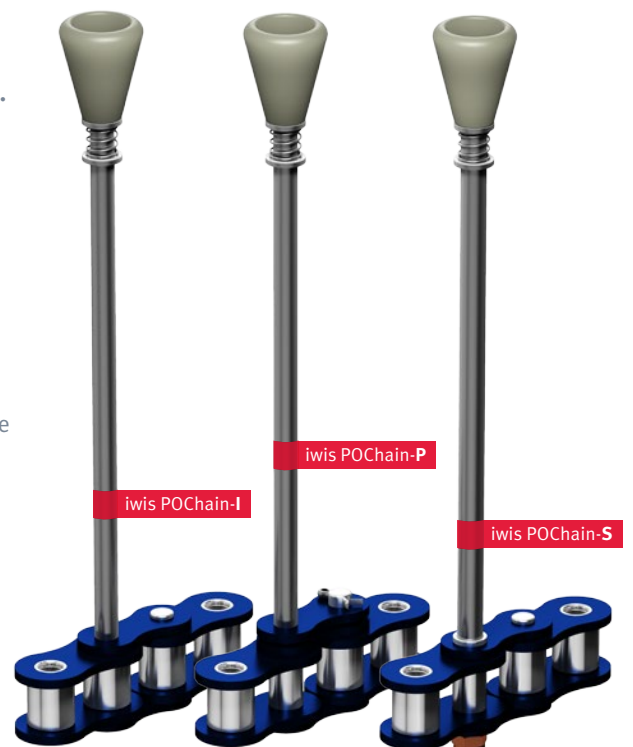
### iwis Pin Oven Chains – reliable and long-lasting

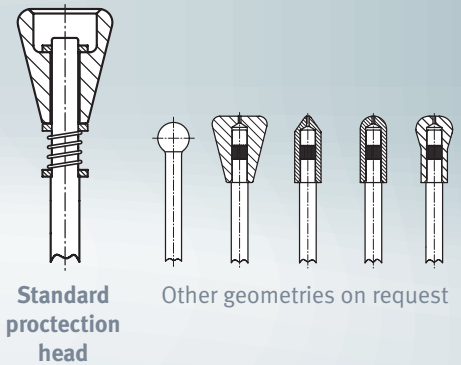
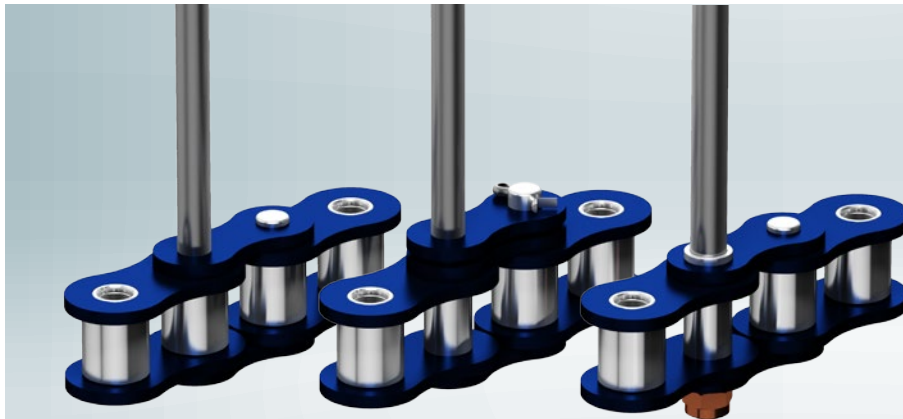
**Challenge:** The **reliable** and **safe** transport of cans or other thin-walled hollow bodies at **high speeds and temperatures**.

**Our solution:** iwis high performance chains are **extremely wear-resistant** with **specially adjusted** transport pins and **superior** protective heads – the right solution for every can application!

#### Highlights

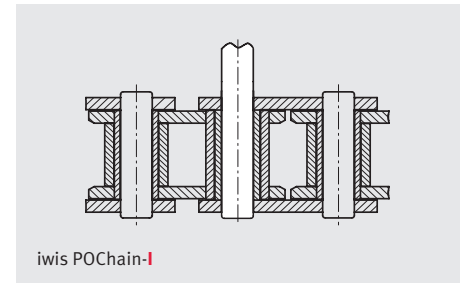
- iwis high precision roller chains: long-lasting, reliable, excellent wear resistance
- Special lubrication for can manufacturing: non-drip, high temperature range, approved for use in the food industry
- Protection heads: high-temperature and high-performance material. Standard type available, other geometries and materials on request.
- Length of transport pins can be adapted to customer specifications
- Predefined fracturing points in the pins prevent damage within the lines in case of collision (POChain-P/-S)
- Transport pins: easily changed on-site without damaging the chain or removing it from the machine (POChain-P/-S)





## Technical dimensions

Pin over chain type	DIN/ISO No.	Ref. no. iwis	Pitch p x inner width	Breaking load $F_b$ (N)	Roller $q$ (mm)	Hollow pin Diameter D (mm)	Inner width $b_1$ (mm)	Pin length max. a <sub>1</sub>	Weight without transport pin (kg/m)
-S / -P	12 A-1 / ANSI 60	M 128A SL	3/4 x 1/2"	31.300	11,91	6,0	12,7	26,7	1,23
-I	12 A-1 / ANSI 60	M 128A SL	3/4 x 1/2"	31.300	11,91	-	12,7	-	1,33



## Technical features

- Transport pins at defined intervals (e.g. every 7th pin)
- Attachments types:
  - POChain-I: Pins are integrated in outer chain plates
  - POChain-S: Pins are fixed using special nuts
  - POChain-P: Split-pin fixture
- Temperature range: 0°C up to +260°C

## Areas of application

- Everywhere where cans or other thin-walled hollow bodies are transported, painted, dried ...

